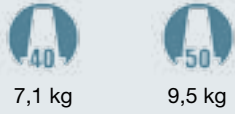


TAR04.PL

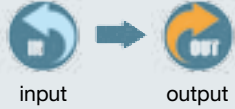
caratteristiche/features



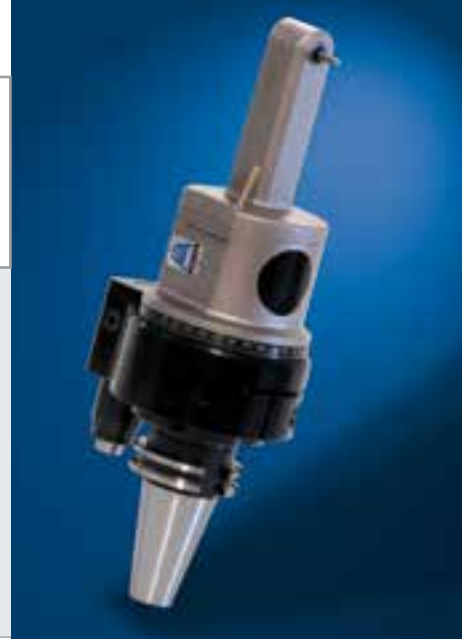
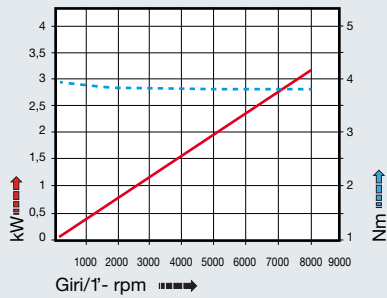
peso/weight



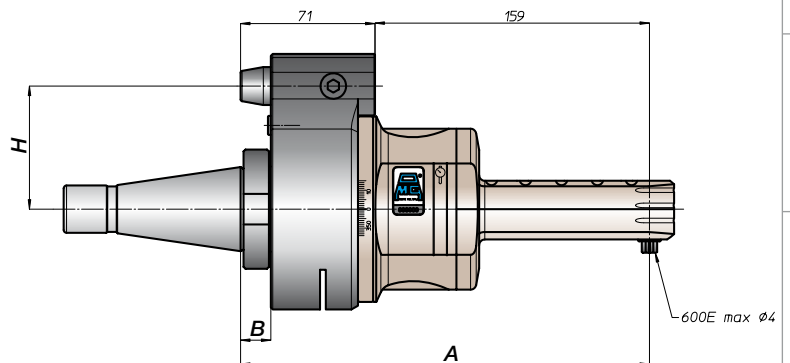
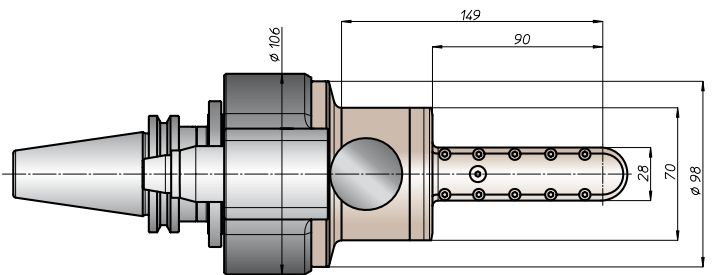
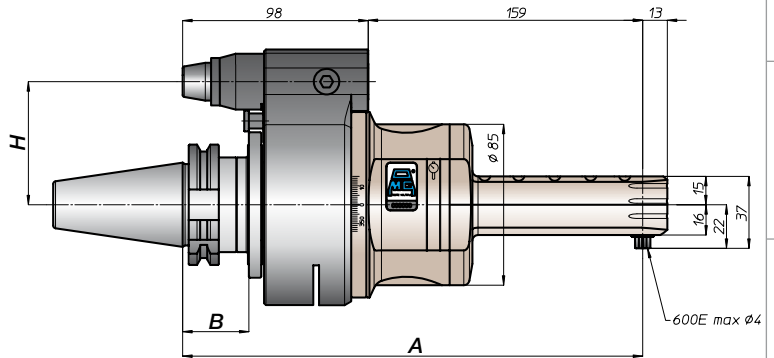
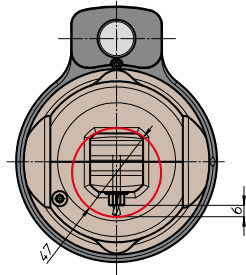
rotazione/rotation



prestazioni/performance



CONO SHANK	size	A	B	H	
				standard	optional
* DING9871 	30	257	35	65	-
	40			80	110
	45			80	110
	50			80	110
* ANSIB5.50 CAT 	40	257	35	65	-
	50			80	110
* BT 	40	265	45	65	-
	50			80	110
HSK DING9893 	63	266	44	65	-
	80			80	110
	100			80	110
CAPTO ISO26623 	C5	261	39	65	-
	C6			80	110
	C8			80	110
KM 	63	257	35	65	-
	80			80	110
	100			80	110
DIN2080 	-	227	13	65	-
	40			80	110
	50			80	110
ANSIB5.18 NMTB 	40	230	16	65	-
	50			80	110



* Option: Dual Contact

