

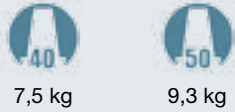
# TAR10.PL



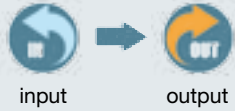
caratteristiche/features



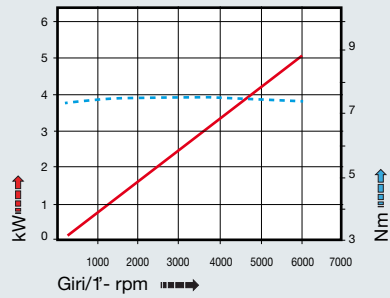
peso/weight



rotazione/rotation



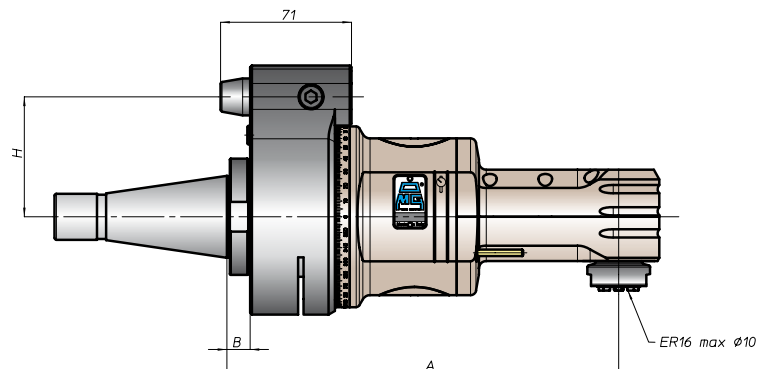
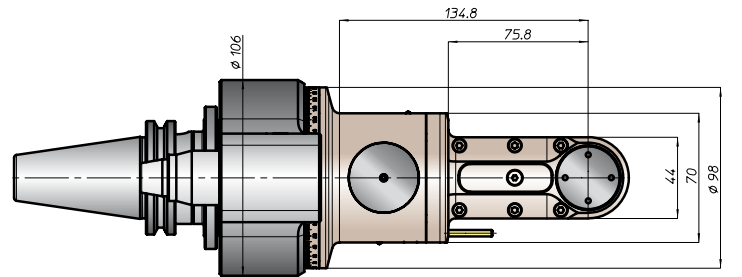
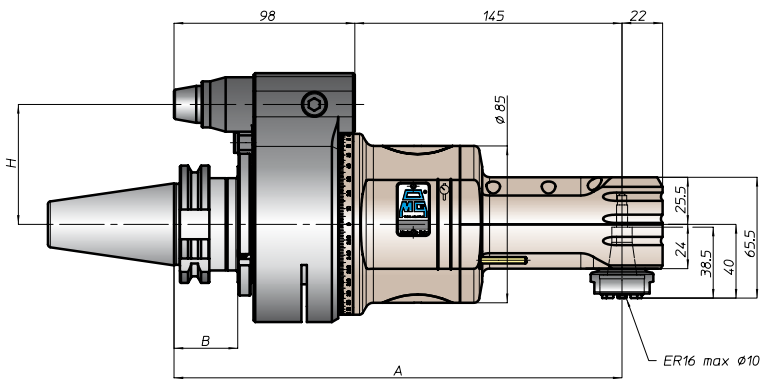
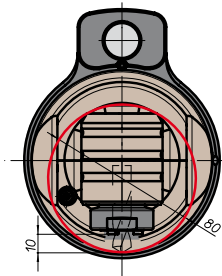
prestazioni/performance



CONO SHANK	size	A	B	H	
				standard	optional
DING9871 *	40	243	35	65	-
	45			80	110
	50			80	110
ANSIB5.50 *	40	243	35	65	-
	50			80	110
* BT	40	251	45	65	-
	50			80	110
DING9893	63	252	44	65	-
	80			80	110
	100			80	110
ISO26623	C5	247	39	65	-
	C6			80	110
	C8			80	110
KM	63	243	35	65	-
	80			80	110
	100			80	110
DIN2080	40	213	13	65	-
	50	216	16	80	110
	50	216	16	80	110
ANSIB5.18	40	213	13	65	-
	50	216	16	80	110

tipi mandrino disponibili / available spindle types

3 Weldon Whistle-Notch  
Ø12



\* Option: Dual Contact



FH  
BAH  
TA.CP  
TA  
MO  
HT  
VH  
TSI/TSX  
T  
MT-TC-TC3  
Accessori  
Accessories  
Appendice tecnica  
Technical supplement