

testa ad angolo - angle head

TA07.P



caratteristiche/features

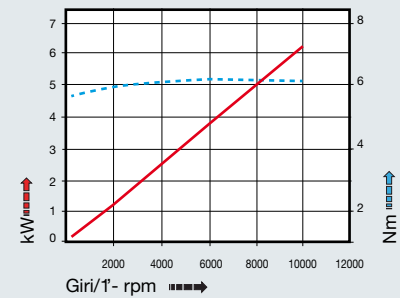
peso/weight

5,5 kg 7,5 kg

rotazione/rotation

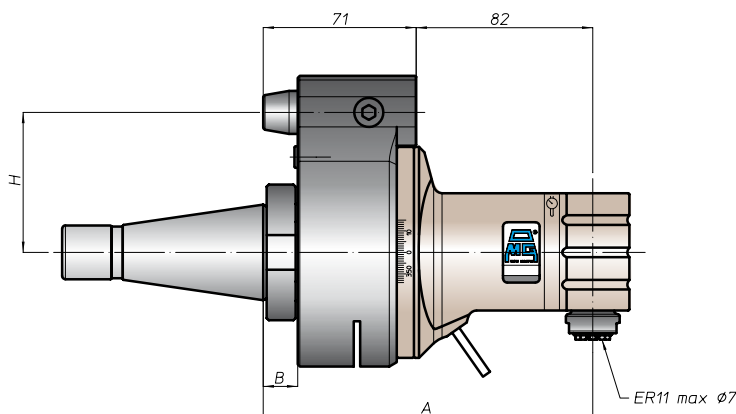
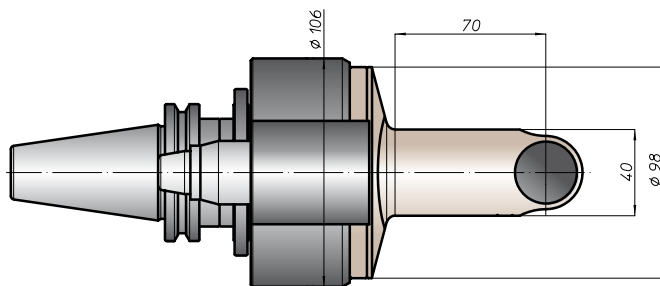
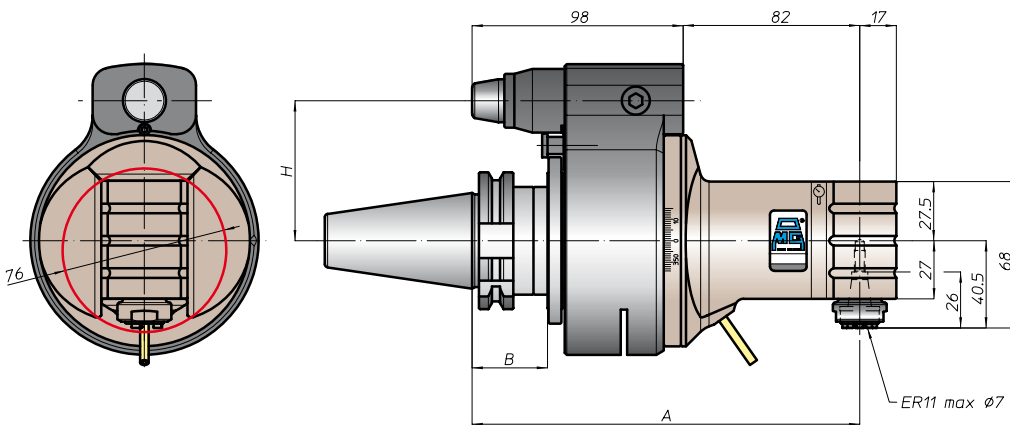
input output

prestazioni/performance



tipi mandrino disponibili / available spindle types

3 Weldon Whistle-Notch
Ø8-Ø10



CONO SHANK	size	H			
		A	B	standard	optional
* DING9871	30	180	35	65	-
	40			80	110
	45			80	110
	50			80	110
* ANSIB5.50 CAT	40	180	35	65	-
	50			80	110
* BT	40	188	45	65	-
	50			80	110
DING9893 HSK	63	189	46	65	-
	80			80	110
	100			80	110
ISO28623 CAPTO	C5	184	39	65	-
	C6			80	110
	C8			80	110
KM	63	180	35	65	-
	80			80	110
	100			80	110
DIN2080	-	150	13	65	-
	40			80	110
	-			153	16
ANSIB5.18 NMTB	40	150	13	65	-
	50			153	16

* Option: Dual Contact

