

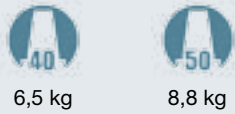
TA07.PL



caratteristiche/features



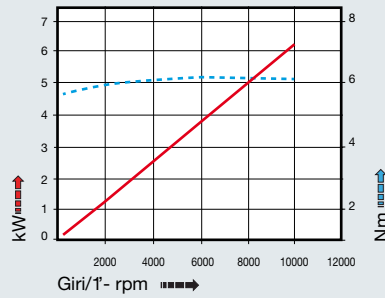
peso/weight



rotazione/rotation



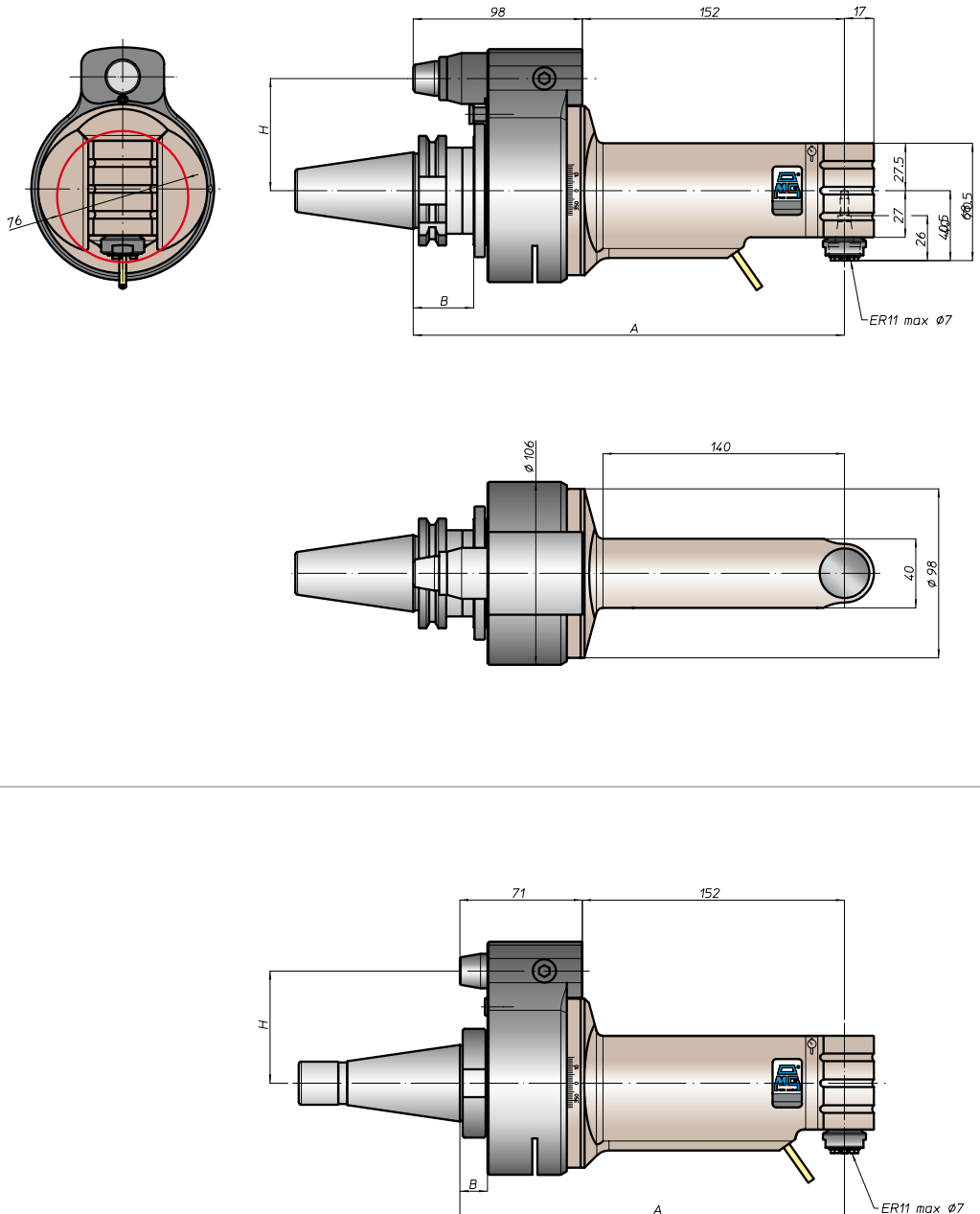
prestazioni/performance



CONO SHANK	size	A	B	H	
				standard	optional
DING9871 *	-	250	35	65	-
	40			80	110
	45			80	110
ANSIB5.50 *	40	258	45	65	-
	50			80	110
BT *	40	258	45	65	-
	50			80	110
HSK	63	259	44	65	-
	80		46	80	110
	100		46	80	110
CAPTO	C5	254	39	65	-
	C6			80	110
	C8			80	110
KM	63	250	13	65	-
	80			80	110
	100			80	110
DIN2080	-	223	16	65	-
	40			80	110
	50			80	110
ANSIB5.18 NMTB	40	223	16	65	-
	50			80	110

tipi mandrino disponibili / available spindle types

3 Weldon Whistle-Notch
Ø8-Ø10



* Option: Dual Contact



FH
BAH
TA.CP
TA
MO
HT
VH
TSI/TSX
T
MT-TC-TC3
Accessori
Accessories
Appendice tecnica
Technical supplement