

# TA13.PL

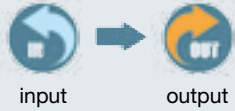
caratteristiche/features



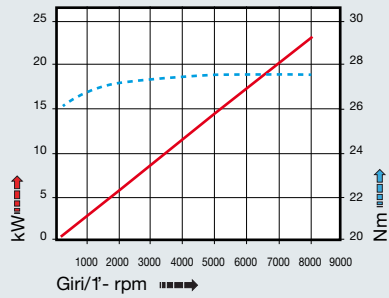
peso/weight



rotazione/rotation



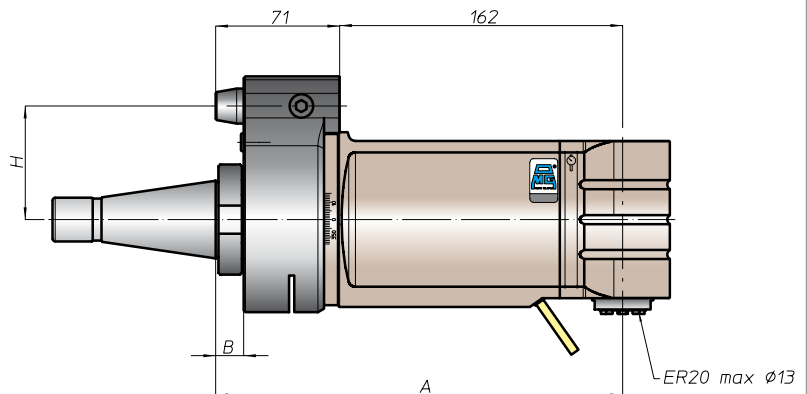
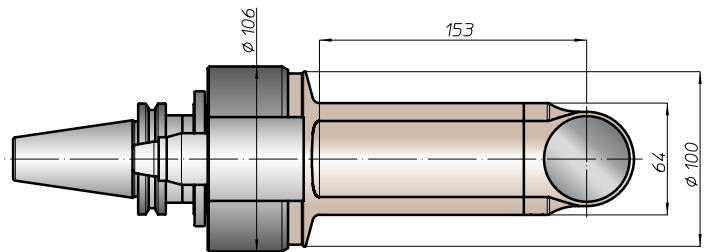
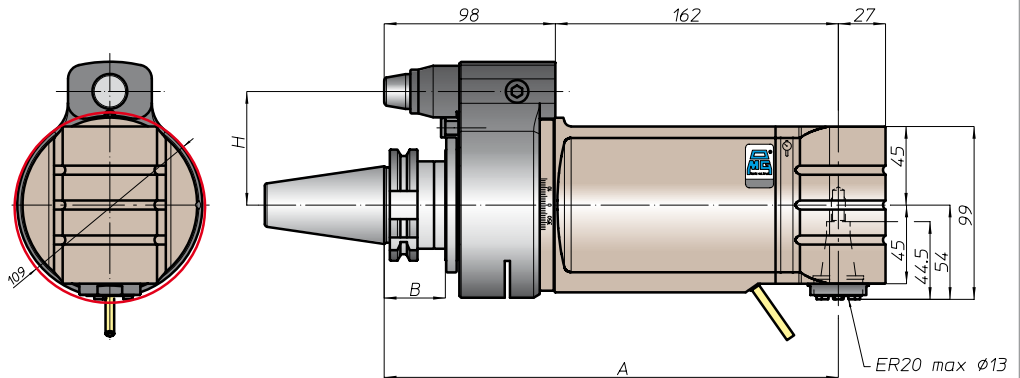
prestazioni/performance



CONO SHANK	size	A	B	H	
				standard	optional
DIN69871 *	-	260	35	65	-
	40			80	110
	45			80	110
ANSIB5.50 *	CAT	268	45	65	-
	BT			80	110
DIN69893	HSK	269	46	65	-
	ISO26623			80	110
	80			80	110
CAPTO	C5	264	39	65	-
	C6			80	110
	C8			80	110
KM	63	260	13	65	-
	80			80	110
	100			80	110
DIN2080	-	233	16	65	-
	40			80	110
	50			80	110
ANSIB5.18	NMTB	233	16	65	-
	50			80	110

tipi mandrino disponibili / available spindle types

- 1** DIN6388-ER **ER25**
- 2** Albero portafresa Milling shaft **Ø16-Ø22**
- 3** Weldon Whistle-Notch **Ø16**



\* Option: Dual Contact



FH  
 BAH  
 TA.CP  
 TA  
 MO  
 HT  
 VH  
 TSI/TSX  
 T  
 MT-TC-TC3  
 Accessori  
 Accessories  
 Appendice tecnica  
 Technical supplement