

TA16.P



caratteristiche/features




 ø 16 M12 1040 N




 1-1 5000

peso/weight

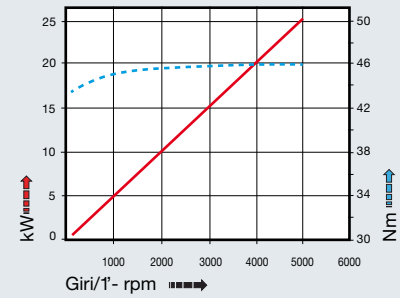


 7,7 kg 11,7 kg

rotazione/rotation

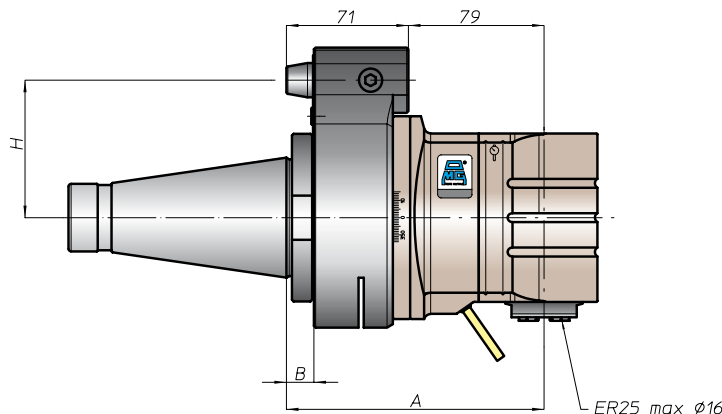
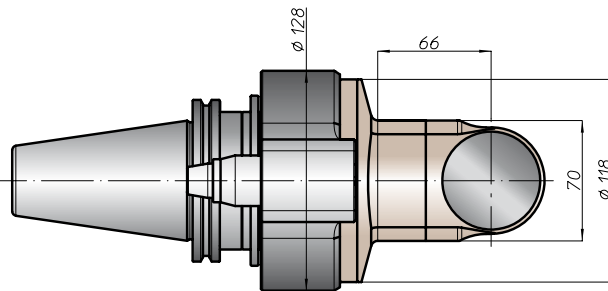
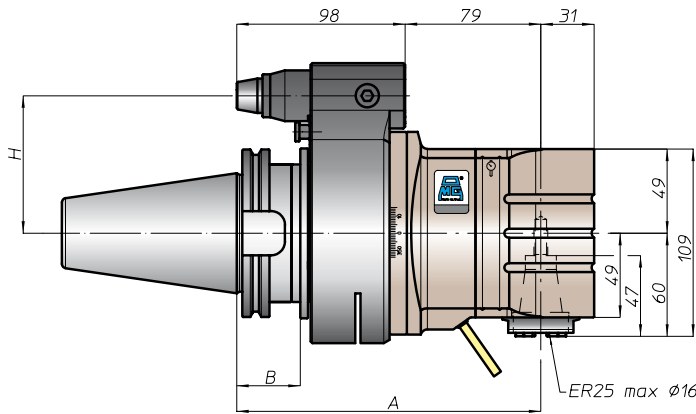
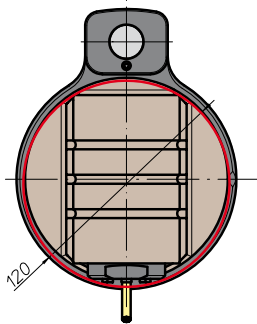


 input output

prestazioni/performance



tipi mandrino disponibili / available spindle types

- 1** DIN6388-ER
ER32
- 2** Albero portafrese
Milling Shaft
Ø16-Ø22-Ø27-Ø32
- 3** Weldon
Whistle-Notch
Ø20
- 4** DIN69893-HSK
HSK32
- 5** COROMANT
CAPTO®
C3
- 6** ABS
Licenza KOMET®
ABS32



CONO SHANK	size	H			
		A	B	standard	optional
* DIN69871	-	172		65	-
	40			65	
	45	177	35	80	110
* ANSIB5.50 CAT	40	172		65	-
	50	177		80	110
* BT	40	172		65	
	50	185	45	80	110
HSK DIN69893	63	181	44	65	
	80			65	
	100	186	46	80	110
CAPTO ISO26623	C5	176		65	
	C6		39		
	C8	181		80	110
KM	63	172		65	
	80			65	
	100	177		80	110
DIN2080	-	147	13	65	-
	40			65	
	50	150	16	80	110
ANSIB5.18 NMTB	40	142	13	65	-
	50	150	16	80	110

* Option: Dual Contact

