

# TA16.PD



caratteristiche/features

$\varnothing$  16    M12    1040 N  
 1-1    5000    10 bar

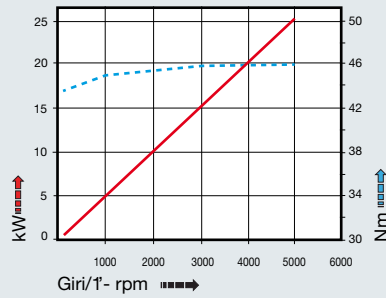
peso/weight

40    50  
 7,7 kg    12 kg

rotazione/rotation

input    output

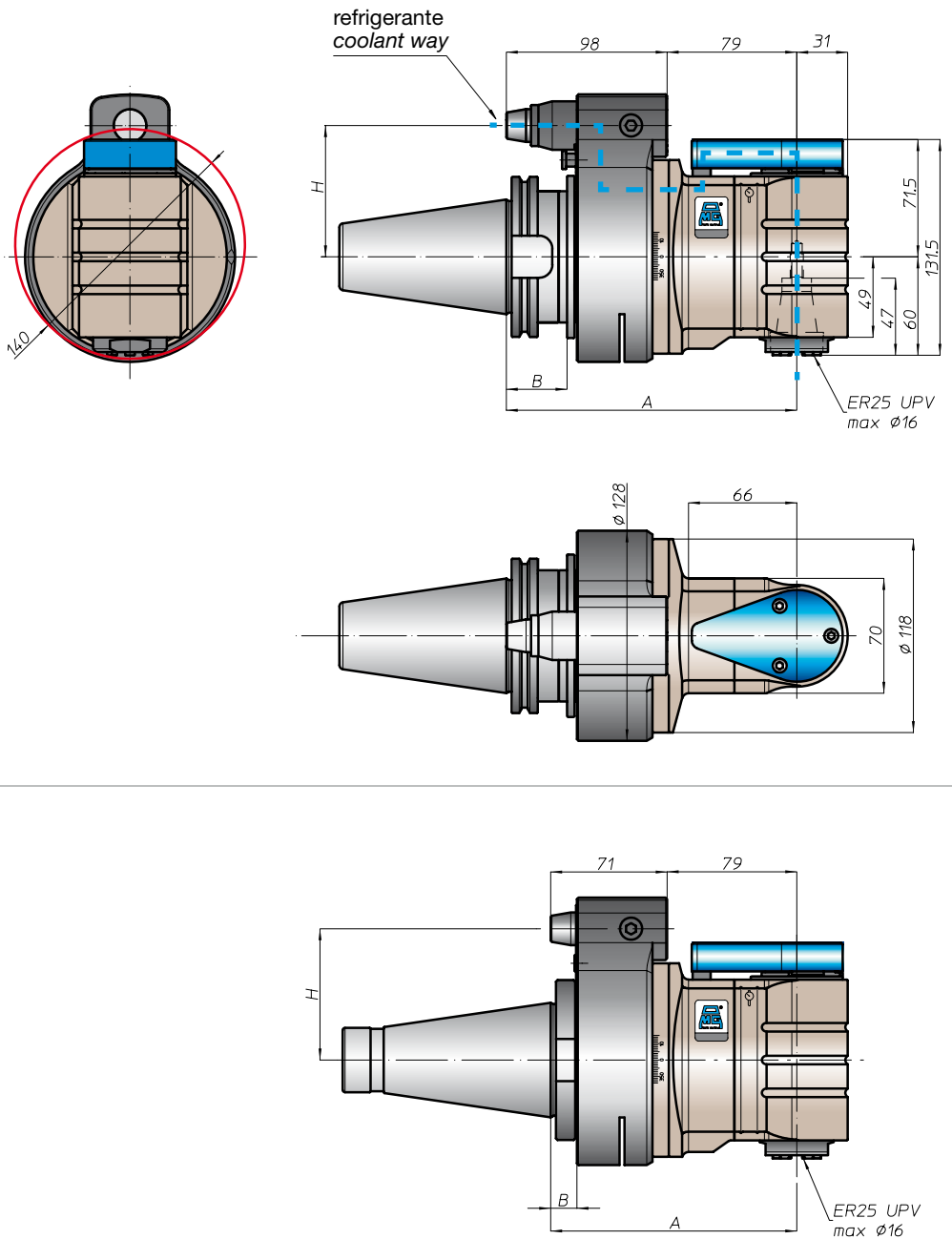
prestazioni/performance



CONO SHANK	size	A	B	H	
				standard	optional
DING9871 *	-	172		65	-
	40		35	80	110
	45				
50					
ANSIB5.50 * CAT	40	172		65	-
	50	177		80	110
* BT	40	172		65	
	50	185	45	80	110
DING9893 HSK	63	181	44	65	
	80				
	100	186	46	80	110
ISO26623 CAPTO	C5	176		65	
	C6		39		
	C8	181		80	110
KM	63	172		65	
	80				
	100	177		80	110
DIN2080	-	147	13	65	-
	40				
	50	150	16	80	110
ANSIB5.18 NMTB	40	142	13	65	-
	50	150	16	80	110

tipi mandrino disponibili / available spindle types

1 DIN6388-ER  
**ER32**



\* Option: Dual Contact

