

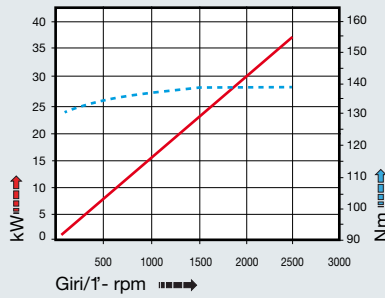
TA26.PD



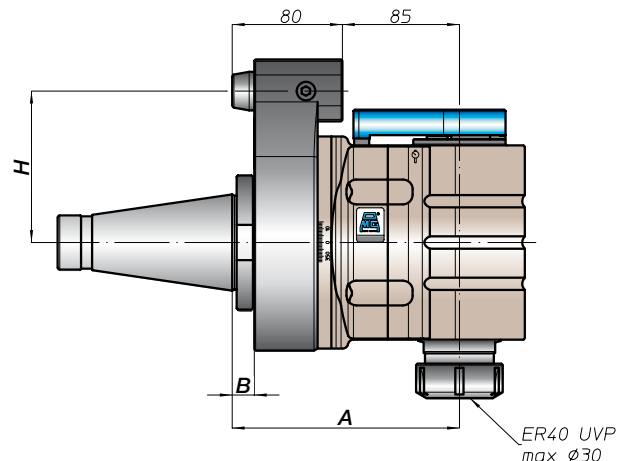
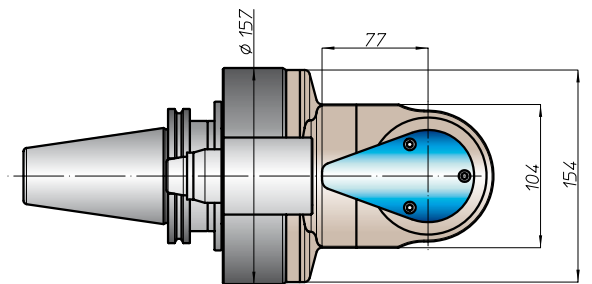
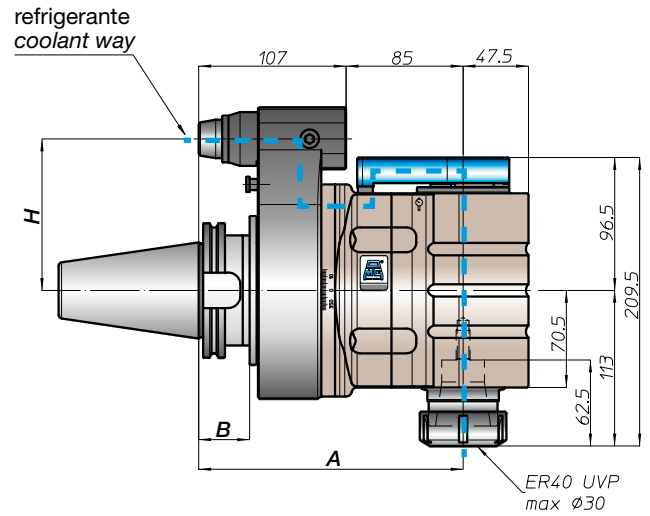
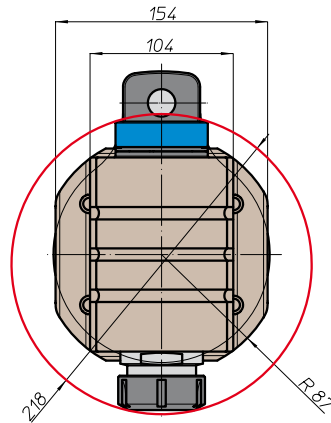
caratteristiche/features

peso/weight

prestazioni/performance



CONO SHANK	size	A	B	H	
				standard	optional
DIN69871 *	-	192	37	-	-
	45			110	-
ANSIB5.50 *	-	192	37	-	-
	50			110	-
BT	-	200	45	110	-
	50			110	-
HSK	-	201	46	110	-
	80			110	-
CAPTO	-	196	-	110	-
	100			110	-
KM	-	192	-	110	-
	100			110	-
DIN2080	-	165	16	110	-
	50			110	-
NMTB	-	165	16	110	-
	50			110	-



* Option: Dual Contact



FH
BAH
TA.CP
TA
MO
HT
VH
TSI/TSX
T
MT-TC-TC3
Accessori
Accessories
Appendice tecnica
Technical supplement